

INTERCOM SYSTEM



GENERAL DESCRIPTION

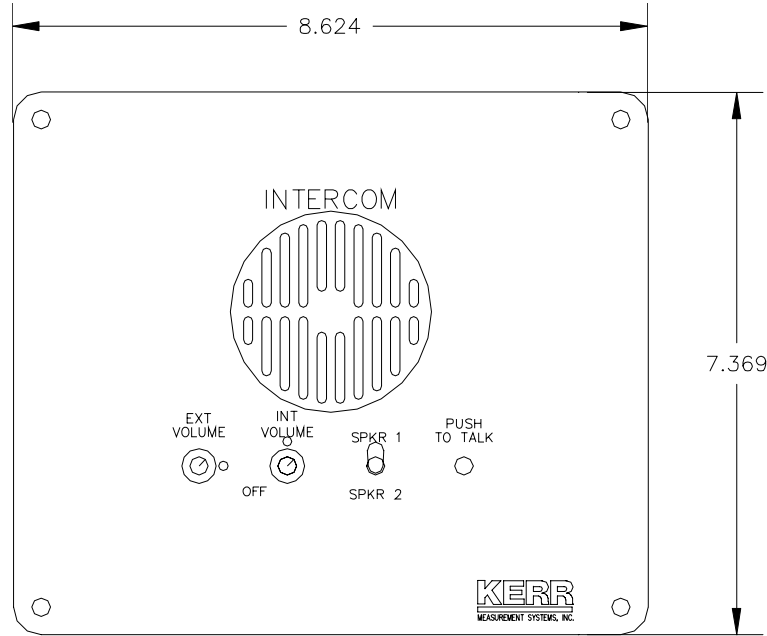
This system is designed to mount inside a wireline unit to provide communications between personnel inside the logging cabin and personnel working outside at the wellsite.

The system consists of three components, the intercom and the remote speaker. The intercom is powered from 12vdc. The remote speaker connects to the intercom output port through either a bulkhead cable or a cable spool of up to 250' in length.

The remote speaker serves both as a speaker and a microphone.

The intercom comes with connectors for two remote speakers. A switch is provided on the front panel to select which speaker is in use. One speaker can be installed in the logging unit near the wireline drum and the other speaker can be placed near the well head through a 100' – 250' cable reel.

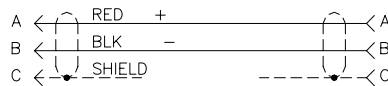
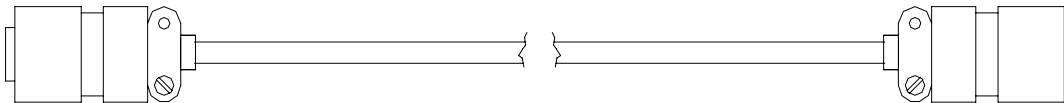
ALS3A102 INTERCOM ASSY SPECIFICATIONS



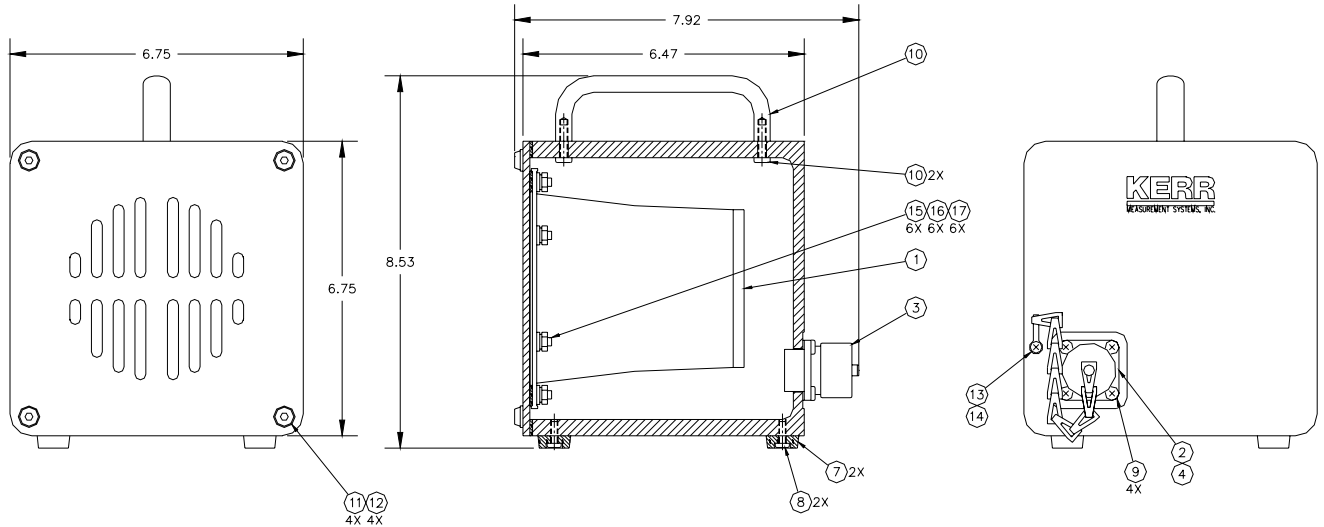
DEPTH: 2.72" 6.9 CM

WEIGHT: 3 LBS 1.37 KG

ALS3A012 INTERCOM CABLE



ALS3A111 SPEAKER ASSY SPECIFICATIONS



PIN A = SPEAKER +
PIN B = SPEAKER -

WIDTH:	6.75"	17.15 CM
HEIGHT:	8.53"	21.67 CM
DEPTH:	7.92"	20.12 CM
WEIGHT:	9 LBS	4.08 KG

OPERATING INSTRUCTIONS

Apply power - +12v to pin A and gnd to pin B of power input connector

Connect speaker 1 cable to speaker 1 connector on rear of panel.

Connect speaker 2 cable to speaker 2 connector on rear of panel

Mount speaker 1 on a fixed mount in the unit drum compartment. Mount it at a location where noise from the drum compartment will be minimal.

Connect speaker 2 to the cable reel.

Place speaker 2 near work area. The speaker will pickup sounds from the work area and broadcast them from the intercom.

Use the speaker 1 / 2 switch on the front of the panel to select which speaker to listen and transmit to.

Use the internal volume control to adjust the volume of the intercom. This control only affects the intercom volume, not the external speaker.

Use the external volume control to adjust the sound level at the external speaker.

To transmit sounds from the intercom to the external speaker, the push to talk button must be depressed.